



Tri-Wall Stapler

BeA CC 3238 Jumbo

The BeA CC 3238 Jumbo 1½" Tri-Wall Stapler is designed for safe, secure closure of corrugated containers up to 1,000 lbs. burst test. Pneumatic actuation guarantees smooth, fast, and reliable stapling without interruption.

- Designed for use with mechanical tool balancers for operator fatigue reduction
- Ergonomic grip handle
- Enlarged trigger for actuation ease
- 100 Staple load capacity
- Adjustable depth, and clinch control
- Accepts staple lengths 25 mm [1"], 32 mm [1¼"], 38 mm [1½"]

SPEED. POWER. RELIABILITY.

BeA CC 3238 Jumbo Tri-Wall Stapler

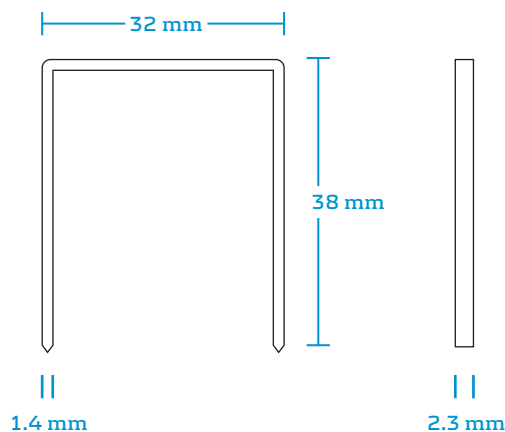


Technical Data

Type description	CC 3238 Jumbo Tri-Wall Stapler
Item code	12100707
Magazine type	Top load
Tool length	360 mm [14"]
Tool height	335 mm [13"]
Tool width	174 mm [6.5"]
Tool weight	6 kg [13.25 lbs]
Air inlet	1/4" NPT
Tool operating air pressure	6-8 bar [90-120 PSI]
Tool air consumption	0.067 scfm with 10 staples per minute @ 6 bar [90 PSI]
Emission sound pressure	work station LpA, 1s [89 dB]
Single shot emission sound pressure level	LpA,1s,1m [80 dB]
Magazine capacity	100 staples

Subject to technical modifications

Staple Specifications



Crown	Length
32 mm [1 1/4"]	25 mm [1"]
	32 mm [1 1/4"]
	38 mm [1 1/2"]

BeA Fasteners USA, Inc.
4501 Green Point Drive, Suite 101
Greensboro, NC 27410
Phone +1 336-510-4232
Fax +1 336-510-4233
info@us.bea-group.com
www.beafastenersusa.com