

Pneumatic Nailer Type R 160-962

The BeA R 160-962 is a powerful tool and drives full round strip nails with diameter 3.8 to 5.0 mm in the lengths from 100 to 160 mm. The comfortable rubber grip and the adjustable exhaust deflector make the tool operator friendly. The tool is equipped with a second handgrip and a single actuation and can be reloaded easily with one hand.



Popular applications:

Roofing, framing, truss building, sheathing, sub-flooring, pallets, crate assembling, prefabricated building construction

Length: 540 mm
Width: 134 mm
Height: 480 mm

Technical data

Type description:	R 160-962 Standard
Article code:	12100189
Magazine type :	Top loader
Safety:	Single actuation
Fastener type:	Type R 20
Magazine capacity:	50
Fasteners per strip:	2 x 25 or 2 x 20
Operating pressure:	5 – 8.5 bar
Max. operating pressure:	8.5 bar
Air consumption/operation:	7.1 litre / 6 bar
Inner hose diameter:	Ø 9 mm LW recommended
Emission sound pressure level at the workstation:	L pA, 1s, d= 91 dB
Single-shot emission sound pressure level:	L WA, 1 s,d= 104 dB
Weight:	7.2 kg

The vibration as per document no. CEN/TC 255 WG 1 N 47.3 is 6.3 m/s²

Extras supplied with the nailer: Operating instructions, spare parts list, service instructions, silencer

Subject to technical modifications.

All BeA pneumatic tools can be jig-mounted
We supply the necessary accessories and equipments.



This tool conforms to the EG Directive
for Machinery (89/392 EWG)

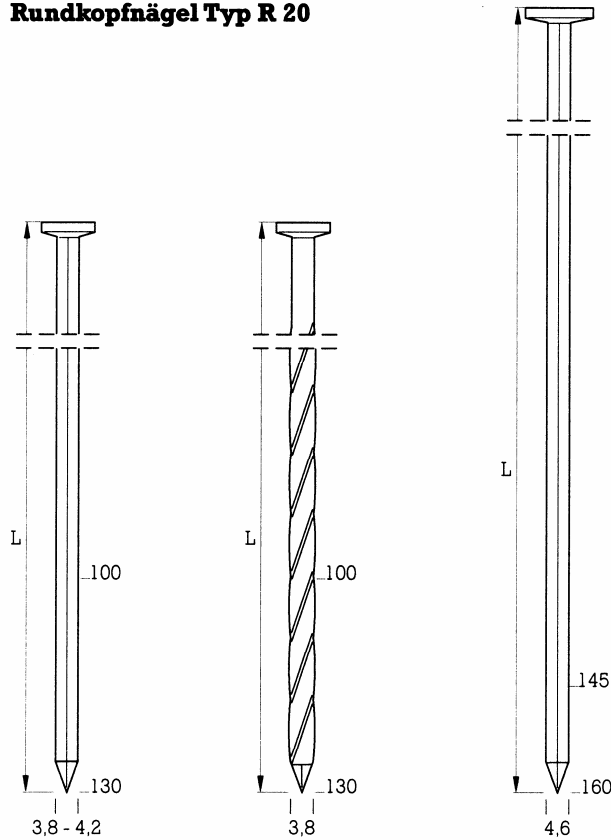
Pneumatic Nailer Type R 160-962

Rundkopfnägel Typ R 20



BeA Deutschland
Befestigungstechnik
P.O.Box 14 80
D-22904 Ahrensburg
Phone: +49 (0) 4102 78-0
Fax: +49 (0) 4102 78-250
www.bea-group.com
e-mail: info@bea-group.com

a division of
Joh. Friedrich Behrens AG



Description	L = Length mm
R 3,8 x 100 BK	100
R 3,8 x 110 BK	110
R 3,8 x 120 BK	120
R 3,8 x 130 BK	130
R 3,8 x 120 BK Screw	120
R 4,2 x 120 BK	120
R 4,2 x 130 BK	130
R 4,6 x 145 BK	145
R 4,6 x 160 BK	160

Other lengths and finishes are also available on request

*Nails are complying with the DIN 1052 standard

Explanations:

NK = galvanized steel	BK = bright steel	LM = aluminium	HZ = resin coated
NKS = galvanized steel, extra hard	BKS = bright steel, extra hard	NR = stainless steel, material. 1.4401	DP = divergent point
NKH = galvanized steel, hard	MS = brass	RF = rust resistant, material 1.4301	SA = step cut