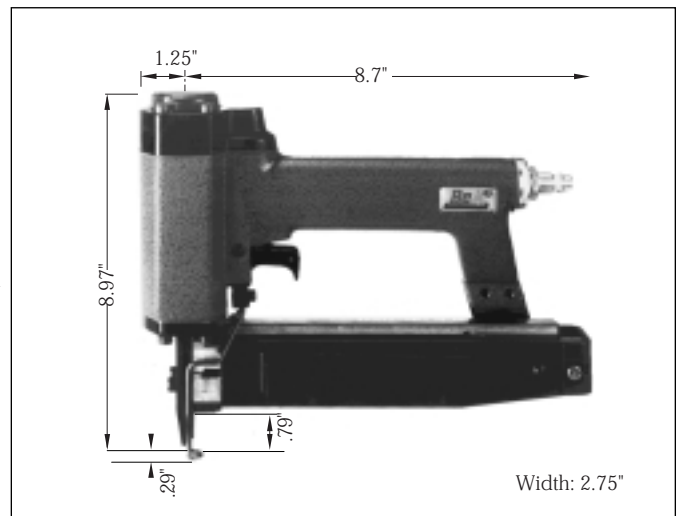


Pneumatic Nailer SK 451-717

The BeA Pneumatic Nailer for finishing nails with 2/32" in diameter. The nailer drives fasteners in the range from 1" to 2". The top loading device allows quick and safe reloading of fasteners. The nails' heads are colored brown, but can be ordered in different colors as well as in stainless steel.

Popular Applications:

Glazing strips, Wicker work, Furniture.



Technical Data

Model:	SK 451-717
Part number:	12000256
Loading type:	top loading
Fastener type:	SK 400 finish nails
Magazine capacity:	97
Standard load, strips x fasteners/strip:	2 x40
Working pressure:	75-120 P.S.I.
Maximum air pressure:	120 P.S.I.
Air consumption:	.03 cu. ft./cycle @ 90 P.S.I.
Recommended hose I.D.:	ø 3/8"
Weight:	4.74 lbs.

Items supplied with tool: Operating instructions, spare parts list, service instructions, silencer.

Subject to technical modifications.

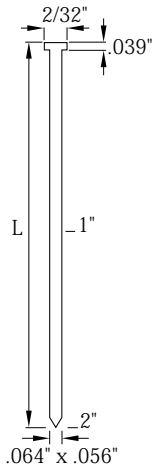
Pneumatic Nailer

SK 451-717



BeA Fasteners U.S.A.
 2100-120 Fairfax Road
 Greensboro, NC 27407
 Phone: (336) 510-4232
 Fax: (336) 510-4233

SK 400 finish nail



Description	L = Length in.
SK 425 NK	1"
SK 428 NK	1 1/8"
SK 432 NK	1 1/4"
SK 435 NK	1 3/8"
SK 441 NK	1 5/8"
SK 445 NK	1 3/4"
SK 448 NK	1 14/16"
SK 451 NK	2"
SK 432 NR	1 1/4"
SK 435 NR	1 3/8"
SK 438 NR	1 1/2"

The SK 400 finish nails' heads are colored brown.
 Other lengths and finishes are also available on request.

Fastener nomenclature:

NK = Galvanized steel	HZ = Resin coated
NKS = Galvanized steel, high carbon	NR = Stainless steel
BK = Brite steel	DP = Divergent point
BKS = Brite steel, high carbon	