

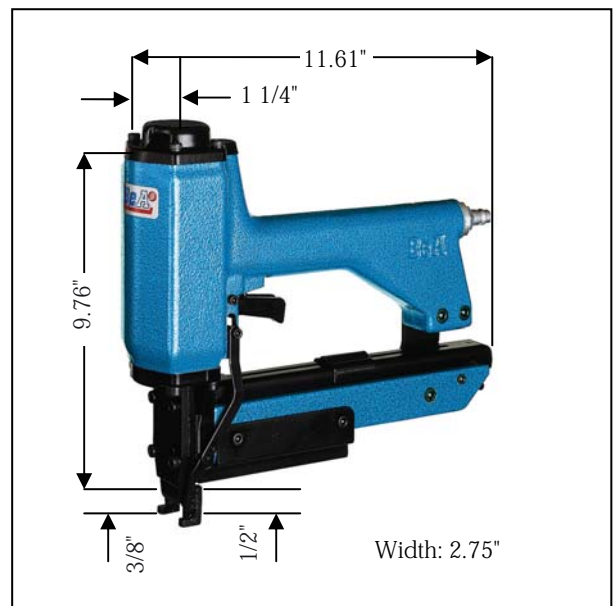
Pneumatic Nailer

T 54-155

A lightweight tool with compact design for driving T-nails, in shank lengths from 1" to 2 1/8". The ideal tool for packaging and the production of crates, pallets, banding, etc. For fastening metal sheets and aluminum mouldings as well as applications in truck and trailer construction.

Popular Applications

Boxes, cases, crates, pallets, packaging, form work, truck and trailer construction.



Technical Data

Model:	T54-155 Standard
Part number:	2415511000
Magazine type:	top loading
Type of work contact:	work contact
Fastener type:	T
Magazine capacity:	82
Standard load, strips x staples/strip:	2 x 33
Operating pressure:	90-120 P.S.I.
Maximum air pressure:	120 P.S.I.
Air consumption:	.05 cu. ft./cycle @ 90 P.S.I.
Recommended hose I.D.:	ø 3/8"

Weight:	5.95 lbs.
---------	-----------

Items supplied with tool:	Operating instructions, spare parts list, service instructions.
---------------------------	---

Subject to technical modification.

Accessories

Part number	Description
14401607	Balance reel hanger

All BeA pneumatic tools can be jig mounted. We supply the necessary accessories.



This tool conforms to the EC Directive for Machinery (89/392 EWG)

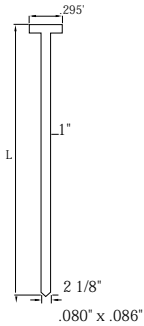
Pneumatic Nailer

T 54-155



BeA Fasteners U.S.A.
 2100-120 Fairfax Road
 Greensboro, NC 27407
 Phone: (336) 510-4232
 Fax: (336) 510-4233

Staple type T



Part number	Description	L = Length inches
1901251000	T 25BK	1"
1901321000	T 32 BK	1 1/4"
1901381000	T 38 BK	1 1/2"
1901441000	T 44 BK	1 3/4"
1901501000	T 50 BK	2"
1901541000	T 54 BK	2 1/8"
1901250000	T 25NK	1"
1901320000	T 32 NK	1 1/4"
1901380000	T 38 NK	1 1/2"
1901440000	T 44 NK	1 3/4"
1901500000	T 50 NK	2"
1901540000	T 54 NK	2 1/8"
1901130600	T 13 NKS	1/2"
1901150600	T 15 NKS	5/8"
1901180600	T 18 NKS	3/4"

Other lengths and finishes are also available on request.

Fastener nomenclature:

NK = Galvanized steel
 NKS = Galvanized steel, high carbon
 BK = Brite steel
 BKS = Brite steel, high carbon

HZ = Resin coated
 NR = Stainless steel
 DP = Divergent point