

# Stationary Unit 97/25-203

The BeA 97/25-203 stationary unit can be mounted on a table or a stand, providing hands free operation. The tool is actuated simply by pushing the work material against the nose. The tool drives type 97 staples in lengths from 3/8" to 1". We recommend the use of the 14400151 block out nose for staples 5/16" in length and shorter.

## Popular Applications

Shoe industry, packaging, arts & crafts, light assembly

## Technical data

Model:	<b>97/25-203</b> Standard
Part number:	12300260
Magazine type:	top loading
Fastener type:	97
Magazine capacity:	300
Standard load, strips x staples/strip:	3 x 100
Operating pressure:	60-120 P.S.I.
Maximum air pressure:	120 P.S.I.
Air consumption:	.022 cu. ft./cycle @ 90 P.S.I.
Recommended hose I.D.:	Ø 3/8"
Weight:	7.5 lbs.

Items supplied with tool: Operating instructions, spare parts list, service instructions, silencer.

Subject to technical modification.

## Accessories

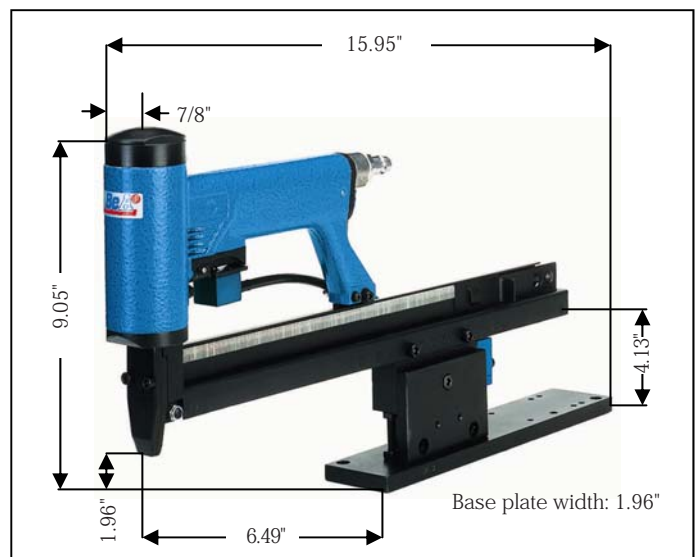


Part number	Description
14400221	Extended front nose plate
14400151	Block out nose plate for 5/16" and shorter staples only

All BeA pneumatic tools can be jig mounted  
We supply the necessary accessories



This tool conforms to the EC Directive  
for Machinery (89/392 EWG)

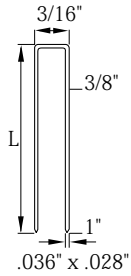


# Stationary Unit 97/25-203



BeA Fasteners U.S.A.  
2100-120 Fairfax Road  
Greensboro, NC 27407  
Phone: (336) 510-4232  
Fax: (336) 510-4233

## Fastener type 97



Part number	Description	L = Length in.	Content (in thousand)		Weight Carton lbs.
			Box	Carton	
10001746	97/10 NK HZ	3/8"	13	156	33.95
10000469	97/12 NK HZ	1/2"	20.8	124.8	30.86
10000478	97/14 NK HZ	9/16"	18.2	109.2	31.74
10000485	97/16 NK HZ	5/8"	15.6	93.6	30.64
10000497	97/19 NK HZ	3/4"	13	78	30.71
10000507	97/22 NK HZ	7/8"	7.8	70.2	30.86
10000515	97/25 NK HZ	1"	5.2	62.4	31.08

Other lengths and finishes are also available on request.

### Fastener nomenclature:

NK = Galvanized steel  
NKS = Galvanized steel, high carbon  
BK = Brite steel  
BKS = Brite steel, high carbon

HZ = Resin coated  
NR = Stainless steel  
DP = Divergent point