

## Pneumatic Nailer Type R 100-952C

The BeA 952C is a powerful tool and drives full round strip nails with diameter 2.8 to 3.4 mm in the lengths from 60 to 100 mm. The lock-out mechanism prevents the tool from operating unless nails are loaded in the magazine.

The nailer is equipped with an adjustment for depth control and an adjustable exhaust deflector. The comfortable rubber grip and the attached exhaust make the tool operator friendly.



### Popular applications:

Roofing, framing, truss building, sheathing, sub-flooring, pallets, crate assembling, prefabricated building construction

Length: 567 mm  
Width: 114 mm  
Height: 360 mm

### Technical data

Type description:	<b>R 100-952 C</b> Contact
Article code:	12100292
Magazine type :	Top loader
Safety:	Contact actuation
Fastener type:	Type R 20
Magazine capacity:	min. 66
Fasteners per strip:	2 x 35
Operating pressure:	5 – 8 bar
Max. operating pressure:	8 bar
Air consumption/operation:	3.3 litre / 6 bar
Inner hose diameter:	Ø 9 mm LW recommended
Emission sound pressure level at the workstation:	L pA, 1s, d= 83 dB
Single-shot emission sound pressure level:	L WA, 1 s,d= 94 dB
Weight:	3.65 kg

The vibration as per document no. CEN/TC 255 WG 1 N 47.3 is 4.1 m/s<sup>2</sup>

**Extras supplied with the nailer:** Operating instructions, spare parts list, service instructions, silencer

Subject to technical modifications.

All BeA pneumatic tools can be jig-mounted  
We supply the necessary accessories and equipments.



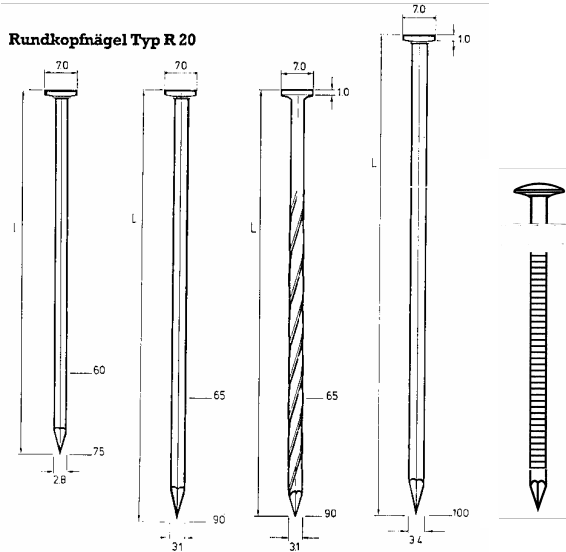
This tool conforms to the EG Directive  
for Machinery (89/392 EWG)

## Pneumatic Nailer Type R 100-952 C



BeA GmbH  
P.O.Box 14 80  
D-22904 Ahrensburg Phone:  
(04102) 78-0  
Fax: (04102) 78-250  
www.bea-group.com  
e-mail: info@bea-group.com

### R 20 strip nails



a division of  
BeA GmbH

Description	L = Length mm
R20 2,8 x 60 BK	60
R20 2,8 x 65 BK	65
R20 2,8 x 70 BK	70
R20 3,1 x 65 BK	65
R20 3,1 x 70 BK	70
R20 3,1 x 80 BK	80
R20 3,1 x 90 BK	90
R20 3,1/3,4 x 70 BK Screw	70
R20 3,1/3,4 x 80 BK Screw	80
R20 3,1/3,4 x 90 BK Screw	90
R20 2,8 x 65 NK	65
R20 2,8 x 70 NK	70
R20 3,1 x 80 NK	80
R20 3,1 x 90 NK	90
R20 2,8 x 65 NR Ring Lens Head*	65
R20 3,1 x 80 NR Ring Lens Head*	80

Other lengths and finishes are also available on request.

\*Nails are complying with the DIN 1052 standard

#### Explanations:

NK = galvanized steel	BK = bright steel	LM = aluminium	HZ = resin coated
NKS = galvanized steel, extra hard	BKS = bright steel, extra hard	NR = stainless steel, material. 1.4401	DP = divergent point
NKH = galvanized steel, hard	MS = brass	RF = rust resistant, material 1.4301	SA = step cut