

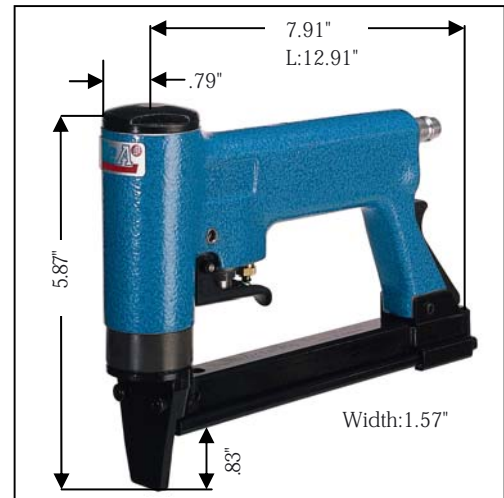
# Pneumatic Tacker

## 71/14-451 A & AL

The 71/14-451 tacker was designed as a dedicated automatic tacker and due to this requires very little service. The automatic valve can be infinitely adjusted for cycle speeds of 0-1600 cycles per minute. The trigger valve can also be adjusted to allow for single actuation and automatic actuation capability at the same time. The 71/14-451 automatic tacker is available with a standard length magazine as well as a double length long magazine.

### Popular Applications

Furniture upholstery, fabric to box spring frames, attaching fabric covers to office partitions.



### Technical Data

Model:	<b>71/14-451 A</b> Automatic	<b>71/14-451 AL</b> Automatic long magazine
Part number:	12000077	12000078
Loading type:	bottom loading	bottom loading
Staple type:	71	71
Magazine capacity:	194	377
Staple sticks:	1 x 18	2 x 182
Air pressure range:	75-90 P.S.I.	75-90 P.S.I.
Maximum air pressure:	90 P.S.I.	90 P.S.I.
Cycle speed:	0-1600 per minute	0-1600 per minute
Air consumption:	.011 cu. ft./cycle @ 90 P.S.I.	.011 cu. ft./cycle @ 90 P.S.I.
Weight:	2 lbs. 9 oz.	2 lbs. 15 oz.
Items supplied with tool:	Operating instructions, spare parts list, service instructions.	

### Accessories:

Part number	Description
14400676	Aluminum cap
14404018	Special backnose assembly for 6 mm and shorter staples only
14404028	Long mag. backnose for 6 mm and shorter staples only
14403782	Pusher for 6 mm and shorter staples only

All BeA pneumatic tools can be jig-mounted. We supply the necessary accessories.



This tool conforms to the EC Directive for Machinery (89/392 EWG)

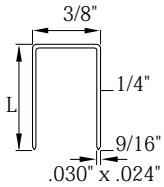
# Pneumatic Tacker

## 71/14-451 A



BeA Fasteners U.S.A.  
 2100-120 Fairfax Road  
 Greensboro, NC 27407  
 Phone: (336) 510-4232  
 Fax: (336) 510-4233

### Staple type 71



Description	L = Length inches
71/6 NK	1/4"
71/8 NK	5/16"
71/10 NK	3/8"
71/12 NK	1/2"
71/14 NK	9/16"

Other lengths and finishes are also available on request.

#### Fastener nomenclature:

NK = Galvanized steel  
 NKS = Galvanized steel, high carbon  
 BK = Brite steel  
 BKS = Brite steel, high carbon

HZ = Resin coated  
 NR = Stainless steel  
 DP = Divergent point